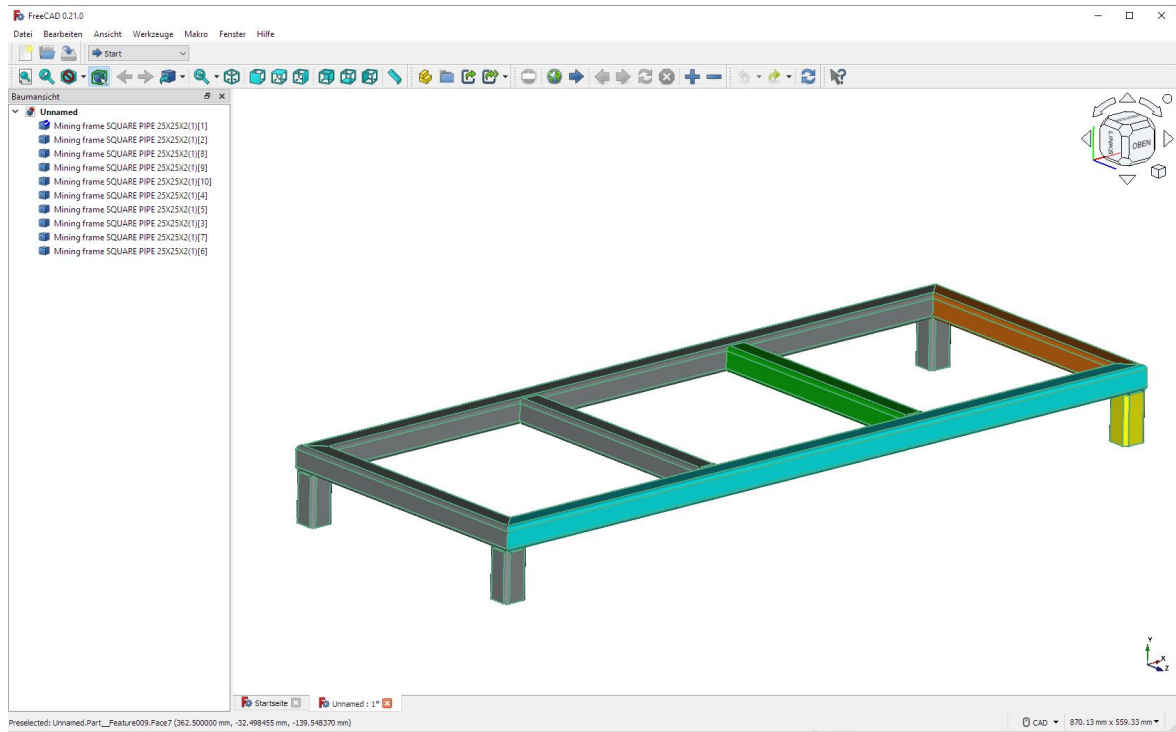


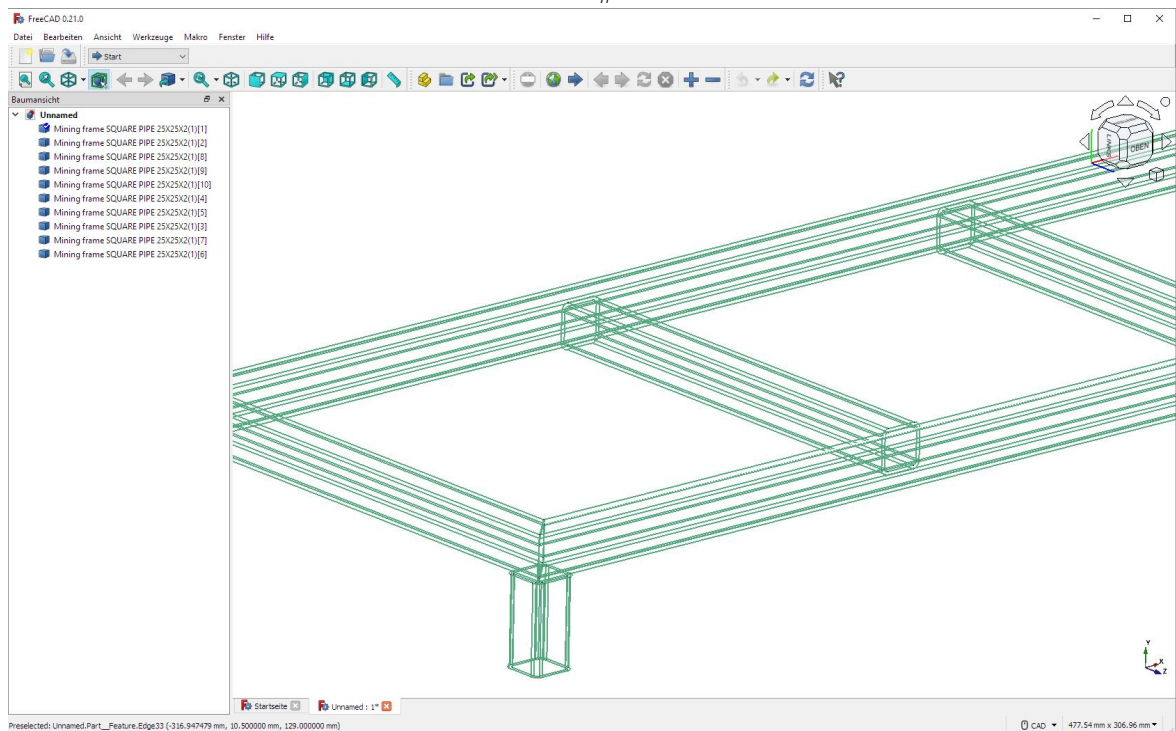
Part 34 - Calculating a Square Tube CAD Assembly with MEANS V13

The CAD assembly consists of 10 square tubes 25x25x2, which are very difficult to create a FEM-Mesh with the free open source mesh generators NETGEN or GMSH because of the low contact at the contact points.

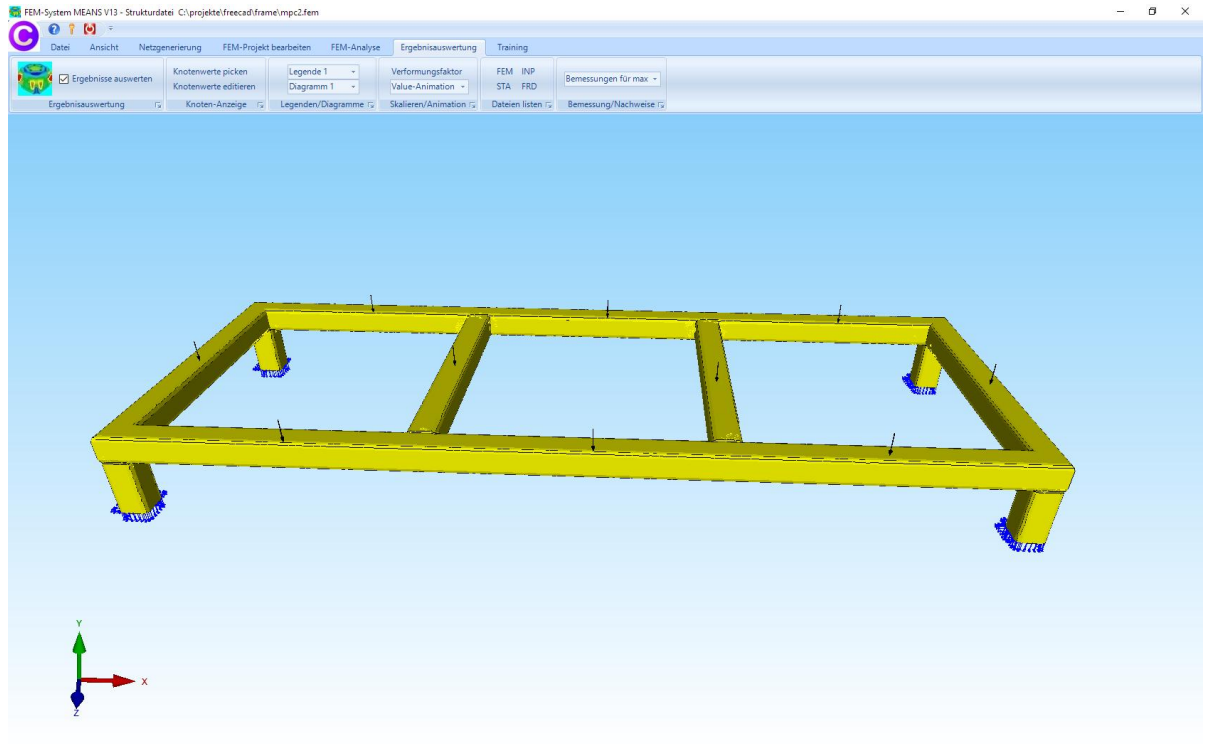
The following chapter describes how you can still simulated this CAD assembly with MEANS V13 (Free Demo www.fem-infos.com) without subsequent and time-consuming CAD modeling.



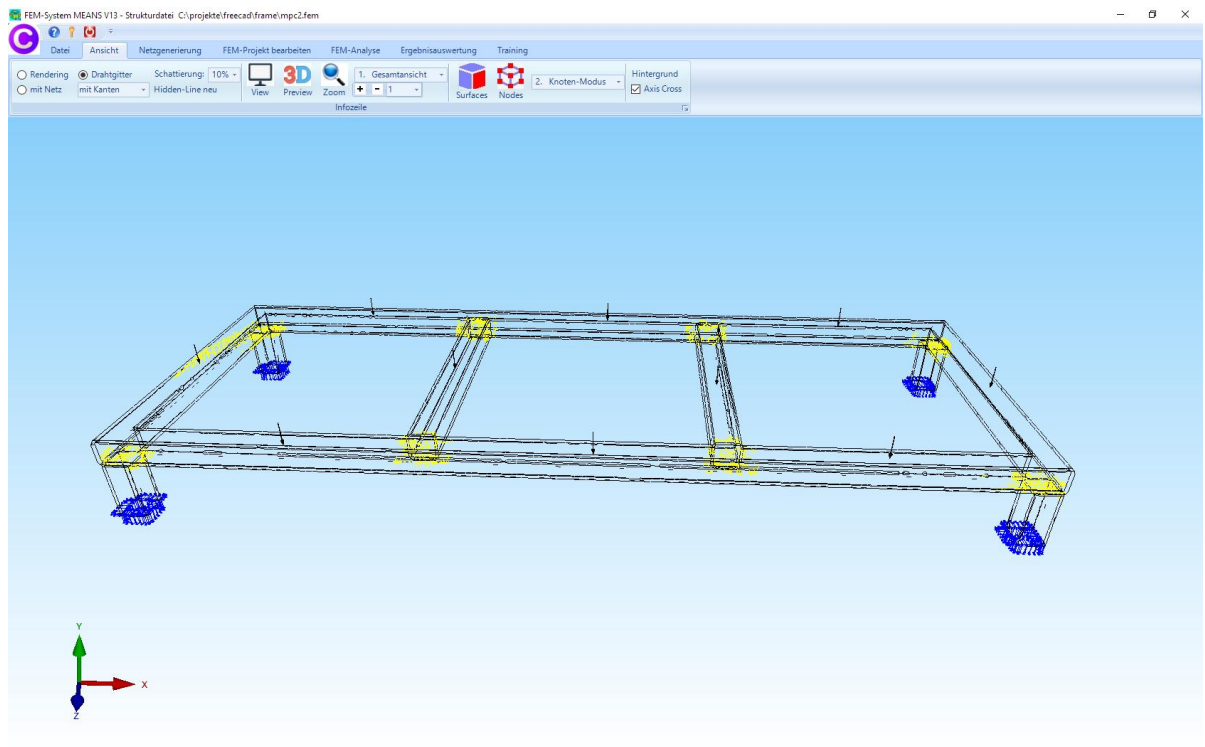
#



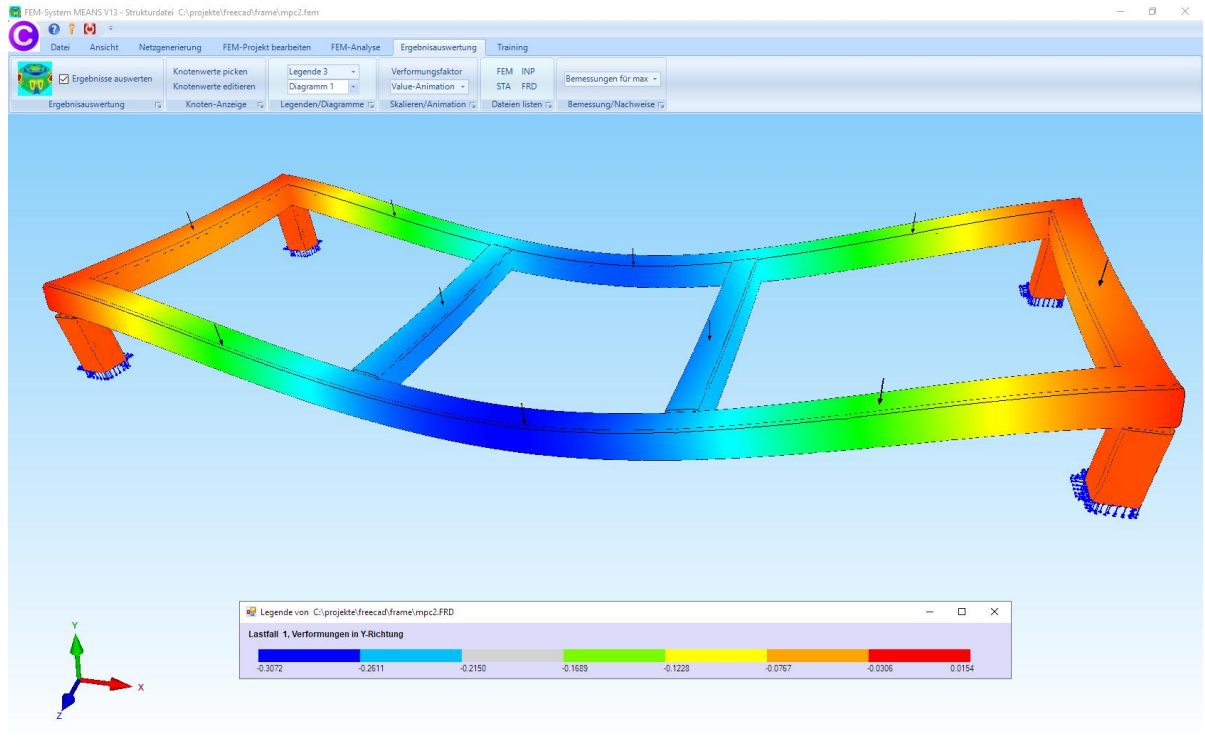
FEM Model



BEAM-SOLID-Contact Elements (yellow)



Displacements



v.Mises-Stresses

